

Printed 2018/01/13



- 1. Crimson Dawn (Mar:1034)
- 2. Peachy Fog (Mar:1037)
- 3. Off White (Mar:1181)
- 4. Linesman (Mar:1130)
- 5. White (Mar:1179)
- 6. Klondike Pale (Mar:1337)
- 7. Dawn Clouds (Mar:1316)
- 8. Linesman (Mar:1130)
- 9. Dawn Clouds (Mar:1316)
- 10. Charcoal Blue (Mar:1178)

**Design1-4x4.pes**  
3.76x3.61 inches; 24,908 stitches  
10 thread changes; 8 colors




- 1. Crimson Dawn (Mar:1034)
- 2. Peachy Fog (Mar:1037)
- 3. Off White (Mar:1181)
- 4. Linesman (Mar:1130)
- 5. White (Mar:1179)
- 6. Klondike Pale (Mar:1337)
- 7. Dawn Clouds (Mar:1316)
- 8. Linesman (Mar:1130)
- 9. Dawn Clouds (Mar:1316)
- 10. Charcoal Blue (Mar:1178)

**Design1-5x7.pes**  
4.93x4.75 inches; 34,720 stitches  
10 thread changes; 8 colors




- 1. Crimson Dawn (Mar:1034)
- 2. Peachy Fog (Mar:1037)
- 3. Off White (Mar:1181)
- 4. Linesman (Mar:1130)
- 5. White (Mar:1179)
- 6. Klondike Pale (Mar:1337)
- 7. Dawn Clouds (Mar:1316)
- 8. Linesman (Mar:1130)
- 9. Dawn Clouds (Mar:1316)
- 10. Charcoal Blue (Mar:1178)

**Design1-8x8.pes**  
7.69x7.41 inches; 62,939 stitches  
10 thread changes; 8 colors




- 1. Purple Cream (Mar:1076)
- 2. Tinted Gray (Mar:1174)
- 3. Off White (Mar:1181)
- 4. Linesman (Mar:1130)
- 5. Tinted Gray (Mar:1174)
- 6. Purple Cream (Mar:1076)
- 7. Cool Blue (Mar:1091)
- 8. Charcoal Blue (Mar:1178)
- 9. Pale Beige (Mar:1128)
- 10. Copper Purple (Mar:1089)
- 11. Tinted Gray (Mar:1174)

**Design10-4x4.pes**  
3.76x2.83 inches; 26,035 stitches  
11 thread changes; 8 colors




- 1. Purple Cream (Mar:1076)
- 2. Tinted Gray (Mar:1174)
- 3. Off White (Mar:1181)
- 4. Linesman (Mar:1130)
- 5. Tinted Gray (Mar:1174)
- 6. Purple Cream (Mar:1076)
- 7. Cool Blue (Mar:1091)
- 8. Charcoal Blue (Mar:1178)
- 9. Pale Beige (Mar:1128)
- 10. Copper Purple (Mar:1089)
- 11. Tinted Gray (Mar:1174)

**Design10-5x7.pes**  
4.94x3.72 inches; 35,581 stitches  
11 thread changes; 8 colors




- 1. Purple Cream (Mar:1076)
- 2. Tinted Gray (Mar:1174)
- 3. Off White (Mar:1181)
- 4. Linesman (Mar:1130)
- 5. Tinted Gray (Mar:1174)
- 6. Purple Cream (Mar:1076)
- 7. Cool Blue (Mar:1091)
- 8. Charcoal Blue (Mar:1178)
- 9. Pale Beige (Mar:1128)
- 10. Copper Purple (Mar:1089)
- 11. Tinted Gray (Mar:1174)

**Design10-8x8.pes**  
7.68x5.80 inches; 60,188 stitches  
11 thread changes; 8 colors




- 1. R245 G245 B245

**Design11-10x10.pes**  
9.65x9.65 inches; 7,137 stitches  
1 thread changes; 1 colors



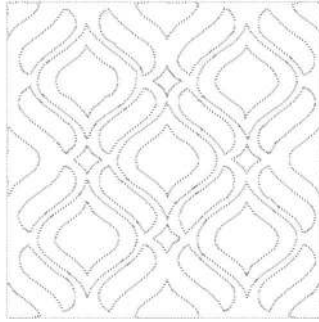
- 1. R245 G245 B245

**Design11-12x12.pes**  
11.61x11.61 inches; 8,413 stitches  
1 thread changes; 1 colors




1. R245 G245 B245

**Design11-5x5.pes**  
4.92x4.92 inches; 3,992 stitches  
1 thread changes; 1 colors



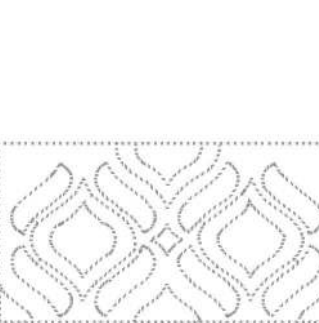
1. R245 G245 B245

**Design11-8x8.pes**  
7.68x7.68 inches; 5,903 stitches  
1 thread changes; 1 colors



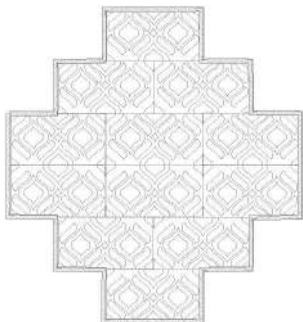
1. R245 G245 B245

**Design11.pes**  
3.74x3.74 inches; 3,234 stitches  
1 thread changes; 1 colors



1. R245 G245 B245

**Design12.pes**  
3.74x2.01 inches; 1,631 stitches  
1 thread changes; 1 colors




1. Off White (Mar:1181)  
2. R245 G245 B245  
3. Berry Cream (Mar:1073)  
4. R245 G245 B245

**Design13.pes**  
11.36x12.15 inches; 35,553 stitches  
4 thread changes; 3 colors



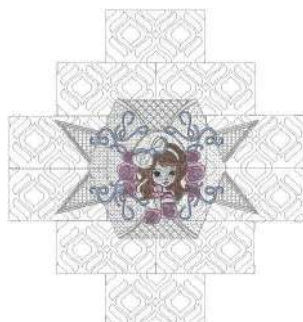
1. Off White (Mar:1181)  
2. Pale Creek (Mar:1060)  
3. Smoky Lumber (Mar:1162)  
4. Pale Creek (Mar:1060)  
5. Dusky Pink (Mar:1021)  
6. White (Mar:1179)  
7. Purple Cream (Mar:1076)  
8. Dusky Pink (Mar:1021)  
9. White (Mar:1179)  
10. Purple Cream (Mar:1076)

**Design13a.pes**  
11.18x12.00 inches; 77,198 stitches  
10 thread changes; 6 colors



1. Off White (Mar:1181)  
2. Cerulean Lake (Mar:1058)  
3. Turquoise Blue (Mar:1059)  
4. Berry Cream (Mar:1073)  
5. Purple Cream (Mar:1076)  
6. Off White (Mar:1181)  
7. Berry Cream (Mar:1073)  
8. Linesman (Mar:1130)  
9. Blue Shimmer (Mar:1167)  
10. Purple Cream (Mar:1076)  
11. Charcoal Blue (Mar:1178)

**Design13b.pes**  
11.18x12.00 inches; 84,901 stitches  
11 thread changes; 8 colors



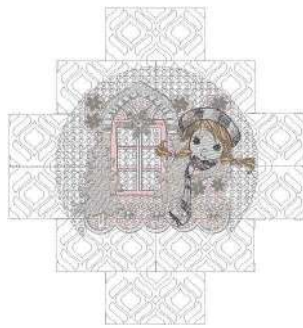
1. Off White (Mar:1181)  
2. Cerulean Lake (Mar:1058)  
3. Purple Cream (Mar:1076)  
4. Berry Cream (Mar:1073)  
5. Purple Cream (Mar:1076)  
6. Midnight Blue (Mar:1069)  
7. Charcoal Blue (Mar:1178)  
8. Tinted Pewter (Mar:1302)  
9. Off White (Mar:1181)  
10. Cerulean Lake (Mar:1058)

**Design13c.pes**  
11.18x12.00 inches; 72,744 stitches  
10 thread changes; 7 colors



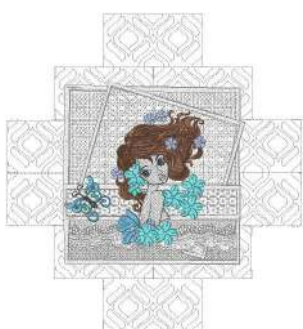
- 1. Off White (Mar:1181)
- 2. Dusky Berry (Mar:1074)
- 3. Off White (Mar:1181)
- 4. Smoky Lumber (Mar:1162)
- 5. Charcoal Blue (Mar:1178)
- 6. Dieppe (Mar:1197)
- 7. Off White (Mar:1181)
- 8. White (Mar:1179)

**Design13d.pes**  
11.18x12.00 inches; 63,708 stitches  
8 thread changes; 6 colors




- 1. Off White (Mar:1181)
- 2. Milky Pink (Mar:1020)
- 3. Off White (Mar:1181)
- 4. Milky Pink (Mar:1020)
- 5. Off White (Mar:1181)
- 6. Gravel Beige (Mar:1129)
- 7. Charcoal Blue (Mar:1178)

**Design13e.pes**  
11.18x12.00 inches; 93,693 stitches  
7 thread changes; 4 colors




- 1. Off White (Mar:1181)
- 2. Mahogany (Mar:1161)
- 3. Turquoise Blue (Mar:1059)
- 4. Soft Turquoise (Mar:1205)
- 5. Cerulean Lake (Mar:1058)
- 6. Leaden Blue (Mar:1067)
- 7. Charcoal Blue (Mar:1178)

**Design13f.pes**  
11.18x12.00 inches; 99,389 stitches  
7 thread changes; 7 colors



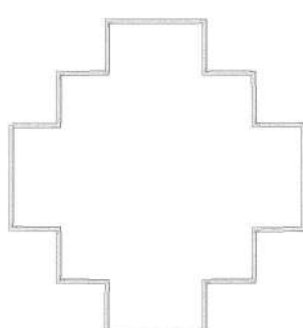
- 1. Off White (Mar:1181)
- 2. Cool Blue (Mar:1091)
- 3. Charcoal Blue (Mar:1178)
- 4. Smoky Lumber (Mar:1162)
- 5. Off White (Mar:1181)
- 6. Purple Cream (Mar:1076)
- 7. Berry Cream (Mar:1073)
- 8. Cerulean Lake (Mar:1058)
- 9. Off White (Mar:1181)
- 10. Charcoal Blue (Mar:1178)
- 11. Cerulean Lake (Mar:1058)
- 12. Leaden Blue (Mar:1067)

**Design13g.pes**  
11.18x12.00 inches; 90,249 stitches  
12 thread changes; 8 colors




- 1. Off White (Mar:1181)
- 2. Crimson Dawn (Mar:1034)
- 3. Peachy Fog (Mar:1037)
- 4. Off White (Mar:1181)
- 5. Linesman (Mar:1130)
- 6. White (Mar:1179)
- 7. Klondike Pale (Mar:1337)
- 8. Dawn Clouds (Mar:1316)
- 9. Linesman (Mar:1130)
- 10. Dawn Clouds (Mar:1316)
- 11. Charcoal Blue (Mar:1178)

**Design13h.pes**  
11.18x12.00 inches; 84,145 stitches  
11 thread changes; 8 colors




- 1. R245 G245 B245
- 2. Berry Cream (Mar:1073)
- 3. R245 G245 B245

**Design14.pes**  
11.36x12.15 inches; 14,350 stitches  
3 thread changes; 2 colors



- 1. Pale Creek (Mar:1060)
- 2. Smoky Lumber (Mar:1162)
- 3. Pale Creek (Mar:1060)
- 4. Dusky Pink (Mar:1021)
- 5. White (Mar:1179)
- 6. Purple Cream (Mar:1076)
- 7. Dusky Pink (Mar:1021)
- 8. White (Mar:1179)
- 9. Purple Cream (Mar:1076)

**Design2-4x4.pes**  
3.75x2.80 inches; 20,403 stitches  
9 thread changes; 5 colors



- 1. Pale Creek (Mar:1060)
- 2. Smoky Lumber (Mar:1162)
- 3. Pale Creek (Mar:1060)
- 4. Dusky Pink (Mar:1021)
- 5. White (Mar:1179)
- 6. Purple Cream (Mar:1076)
- 7. Dusky Pink (Mar:1021)
- 8. White (Mar:1179)
- 9. Purple Cream (Mar:1076)

**Design2-5x7.pes**  
4.93x3.68 inches; 29,660 stitches  
9 thread changes; 5 colors



- 1. Pale Creek (Mar:1060)
- 2. Smoky Lumber (Mar:1162)
- 3. Pale Creek (Mar:1060)
- 4. Dusky Pink (Mar:1021)
- 5. White (Mar:1179)
- 6. Purple Cream (Mar:1076)
- 7. Dusky Pink (Mar:1021)
- 8. White (Mar:1179)
- 9. Purple Cream (Mar:1076)

**Design2-8x8.pes**

7.69x5.73 inches; 55,994 stitches  
9 thread changes; 5 colors



- 1. Off White (Mar:1181)
- 2. Dusky Berry (Mar:1074)
- 3. Off White (Mar:1181)
- 4. Smoky Lumber (Mar:1162)
- 5. Charcoal Blue (Mar:1178)
- 6. Dieppe (Mar:1197)
- 7. Off White (Mar:1181)
- 8. White (Mar:1179)

**Design3-4x4.pes**

3.76x3.30 inches; 20,588 stitches  
8 thread changes; 6 colors



- 1. Off White (Mar:1181)
- 2. Dusky Berry (Mar:1074)
- 3. Off White (Mar:1181)
- 4. Smoky Lumber (Mar:1162)
- 5. Charcoal Blue (Mar:1178)
- 6. Dieppe (Mar:1197)
- 7. Off White (Mar:1181)
- 8. White (Mar:1179)

**Design3-5x7.pes**

4.94x4.34 inches; 29,610 stitches  
8 thread changes; 6 colors



- 1. Off White (Mar:1181)
- 2. Dusky Berry (Mar:1074)
- 3. Off White (Mar:1181)
- 4. Smoky Lumber (Mar:1162)
- 5. Charcoal Blue (Mar:1178)
- 6. Dieppe (Mar:1197)
- 7. Off White (Mar:1181)
- 8. White (Mar:1179)

**Design3-8x8.pes**

7.69x6.76 inches; 53,510 stitches  
8 thread changes; 6 colors



- 1. Off White (Mar:1181)
- 2. Milky Pink (Mar:1020)
- 3. Off White (Mar:1181)
- 4. Milky Pink (Mar:1020)
- 5. Off White (Mar:1181)
- 6. Gravel Beige (Mar:1129)
- 7. Charcoal Blue (Mar:1178)

**Design4-4x4.pes**

3.74x3.13 inches; 26,572 stitches  
7 thread changes; 4 colors



- 1. Off White (Mar:1181)
- 2. Milky Pink (Mar:1020)
- 3. Off White (Mar:1181)
- 4. Milky Pink (Mar:1020)
- 5. Off White (Mar:1181)
- 6. Gravel Beige (Mar:1129)
- 7. Charcoal Blue (Mar:1178)

**Design4-5x7.pes**

4.92x4.15 inches; 38,808 stitches  
7 thread changes; 4 colors



- 1. Off White (Mar:1181)
- 2. Milky Pink (Mar:1020)
- 3. Off White (Mar:1181)
- 4. Milky Pink (Mar:1020)
- 5. Off White (Mar:1181)
- 6. Gravel Beige (Mar:1129)
- 7. Charcoal Blue (Mar:1178)

**Design4-8x8.pes**

7.68x6.49 inches; 72,516 stitches  
7 thread changes; 4 colors



- 1. Off White (Mar:1181)
- 2. Mahogany (Mar:1161)
- 3. Torquoise Blue (Mar:1059)
- 4. Soft Torquoise (Mar:1205)
- 5. Cerulean Lake (Mar:1058)
- 6. Leaden Blue (Mar:1067)
- 7. Charcoal Blue (Mar:1178)

**Design5-4x4.pes**

3.73x3.75 inches; 35,340 stitches  
7 thread changes; 7 colors

Printed 2018/01/13



- 1. Off White (Mar:1181)
- 2. Mahogany (Mar:1161)
- 3. Turquoise Blue (Mar:1059)
- 4. Soft Turquoise (Mar:1205)
- 5. Cerulean Lake (Mar:1058)
- 6. Leaden Blue (Mar:1067)
- 7. Charcoal Blue (Mar:1178)

**Design5-5x7.pes**

4.91x4.93 inches; 49,706 stitches  
7 thread changes; 7 colors



- 1. Off White (Mar:1181)
- 2. Mahogany (Mar:1161)
- 3. Turquoise Blue (Mar:1059)
- 4. Soft Turquoise (Mar:1205)
- 5. Cerulean Lake (Mar:1058)
- 6. Leaden Blue (Mar:1067)
- 7. Charcoal Blue (Mar:1178)

**Design5-8x8.pes**

7.65x7.69 inches; 89,611 stitches  
7 thread changes; 7 colors



- 1. Off White (Mar:1181)
- 2. Cerulean Lake (Mar:1058)
- 3. Turquoise Blue (Mar:1059)
- 4. Berry Cream (Mar:1073)
- 5. Purple Cream (Mar:1076)
- 6. Off White (Mar:1181)
- 7. Berry Cream (Mar:1073)
- 8. Linesman (Mar:1130)
- 9. Blue Shimmer (Mar:1167)
- 10. Purple Cream (Mar:1076)
- 11. Charcoal Blue (Mar:1178)

**Design6-4x4.pes**

3.74x3.75 inches; 30,212 stitches  
11 thread changes; 8 colors



- 1. Off White (Mar:1181)
- 2. Cerulean Lake (Mar:1058)
- 3. Turquoise Blue (Mar:1059)
- 4. Berry Cream (Mar:1073)
- 5. Purple Cream (Mar:1076)
- 6. Off White (Mar:1181)
- 7. Berry Cream (Mar:1073)
- 8. Linesman (Mar:1130)
- 9. Blue Shimmer (Mar:1167)
- 10. Purple Cream (Mar:1076)
- 11. Charcoal Blue (Mar:1178)

**Design6-5x7.pes**

4.91x4.93 inches; 39,831 stitches  
11 thread changes; 8 colors



- 1. Off White (Mar:1181)
- 2. Cerulean Lake (Mar:1058)
- 3. Turquoise Blue (Mar:1059)
- 4. Berry Cream (Mar:1073)
- 5. Purple Cream (Mar:1076)
- 6. Off White (Mar:1181)
- 7. Berry Cream (Mar:1073)
- 8. Linesman (Mar:1130)
- 9. Blue Shimmer (Mar:1167)
- 10. Purple Cream (Mar:1076)
- 11. Charcoal Blue (Mar:1178)

**Design6-8x8.pes**

7.69x7.71 inches; 63,694 stitches  
11 thread changes; 8 colors



- 1. Off White (Mar:1181)
- 2. Off White (Mar:1181)
- 3. Cool Blue (Mar:1091)
- 4. Charcoal Blue (Mar:1178)
- 5. Smoky Lumber (Mar:1162)
- 6. Off White (Mar:1181)
- 7. Purple Cream (Mar:1076)
- 8. Berry Cream (Mar:1073)
- 9. Cerulean Lake (Mar:1058)
- 10. Off White (Mar:1181)
- 11. Charcoal Blue (Mar:1178)
- 12. Cerulean Lake (Mar:1058)
- 13. Leaden Blue (Mar:1067)

**Design7-4x4.pes**

3.73x3.65 inches; 32,698 stitches  
13 thread changes; 8 colors



- 1. Off White (Mar:1181)
- 2. Off White (Mar:1181)
- 3. Cool Blue (Mar:1091)
- 4. Charcoal Blue (Mar:1178)
- 5. Smoky Lumber (Mar:1162)
- 6. Off White (Mar:1181)
- 7. Purple Cream (Mar:1076)
- 8. Berry Cream (Mar:1073)
- 9. Cerulean Lake (Mar:1058)
- 10. Off White (Mar:1181)
- 11. Charcoal Blue (Mar:1178)
- 12. Cerulean Lake (Mar:1058)
- 13. Leaden Blue (Mar:1067)

**Design7-5x7.pes**

4.91x4.82 inches; 44,778 stitches  
13 thread changes; 8 colors



- 1. Off White (Mar:1181)
- 2. Off White (Mar:1181)
- 3. Cool Blue (Mar:1091)
- 4. Charcoal Blue (Mar:1178)
- 5. Smoky Lumber (Mar:1162)
- 6. Off White (Mar:1181)
- 7. Purple Cream (Mar:1076)
- 8. Berry Cream (Mar:1073)
- 9. Cerulean Lake (Mar:1058)
- 10. Off White (Mar:1181)
- 11. Charcoal Blue (Mar:1178)
- 12. Cerulean Lake (Mar:1058)
- 13. Leaden Blue (Mar:1067)

**Design7-8x8.pes**

7.66x7.55 inches; 78,346 stitches  
13 thread changes; 8 colors



- 1. Off White (Mar:1181)
- 2. Cerulean Lake (Mar:1058)
- 3. Purple Cream (Mar:1076)
- 4. Berry Cream (Mar:1073)
- 5. Purple Cream (Mar:1076)
- 6. Midnight Blue (Mar:1069)
- 7. Charcoal Blue (Mar:1178)
- 8. Tinted Pewter (Mar:1302)
- 9. Off White (Mar:1181)
- 10. Cerulean Lake (Mar:1058)

**Design8-4x4.pes**

3.76x2.61 inches; 23,104 stitches  
10 thread changes; 7 colors



- 1. Off White (Mar:1181)
- 2. Cerulean Lake (Mar:1058)
- 3. Purple Cream (Mar:1076)
- 4. Berry Cream (Mar:1073)
- 5. Purple Cream (Mar:1076)
- 6. Midnight Blue (Mar:1069)
- 7. Charcoal Blue (Mar:1178)
- 8. Tinted Pewter (Mar:1302)
- 9. Off White (Mar:1181)
- 10. Cerulean Lake (Mar:1058)

**Design8-5x7.pes**

4.94x3.43 inches; 30,581 stitches  
10 thread changes; 7 colors



- 1. Off White (Mar:1181)
- 2. Cerulean Lake (Mar:1058)
- 3. Purple Cream (Mar:1076)
- 4. Berry Cream (Mar:1073)
- 5. Purple Cream (Mar:1076)
- 6. Midnight Blue (Mar:1069)
- 7. Charcoal Blue (Mar:1178)
- 8. Tinted Pewter (Mar:1302)
- 9. Off White (Mar:1181)
- 10. Cerulean Lake (Mar:1058)

**Design8-8x8.pes**

7.71x5.35 inches; 51,540 stitches  
10 thread changes; 7 colors



- 1. Cool Blue (Mar:1091)
- 2. R239 G239 B239
- 3. Purple Cream (Mar:1076)
- 4. Dolphin Blue (Mar:1198)
- 5. Cool Blue (Mar:1091)
- 6. Berry Cream (Mar:1073)
- 7. Gravel Beige (Mar:1129)
- 8. Linesman (Mar:1130)
- 9. Charcoal Blue (Mar:1178)
- 10. Soft Torquoise (Mar:1205)
- 11. Dolphin Blue (Mar:1198)

**Design9-4x4.pes**

3.76x3.36 inches; 22,135 stitches  
11 thread changes; 9 colors



- 1. Cool Blue (Mar:1091)
- 2. R239 G239 B239
- 3. Purple Cream (Mar:1076)
- 4. Dolphin Blue (Mar:1198)
- 5. Cool Blue (Mar:1091)
- 6. Berry Cream (Mar:1073)
- 7. Gravel Beige (Mar:1129)
- 8. Linesman (Mar:1130)
- 9. Charcoal Blue (Mar:1178)
- 10. Soft Torquoise (Mar:1205)
- 11. Dolphin Blue (Mar:1198)

**Design9-5x7.pes**

4.94x4.43 inches; 30,064 stitches  
11 thread changes; 9 colors



- 1. Cool Blue (Mar:1091)
- 2. R239 G239 B239
- 3. Purple Cream (Mar:1076)
- 4. Dolphin Blue (Mar:1198)
- 5. Cool Blue (Mar:1091)
- 6. Berry Cream (Mar:1073)
- 7. Gravel Beige (Mar:1129)
- 8. Linesman (Mar:1130)
- 9. Charcoal Blue (Mar:1178)
- 10. Soft Torquoise (Mar:1205)
- 11. Dolphin Blue (Mar:1198)

**Design9-8x8.pes**

7.69x6.91 inches; 57,204 stitches  
11 thread changes; 9 colors